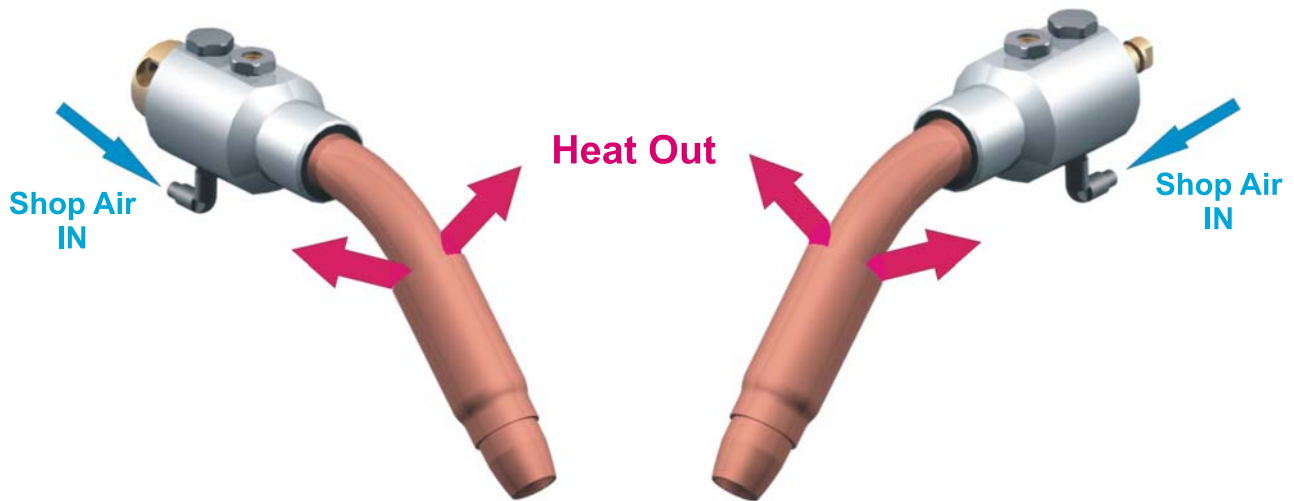




# EXPERT ARC (EA) SERIES ROBOTIC MIG GUN ADAPTER



**Adapter For Direct mount to  
Motoman Clutch Assemblies  
400 & 600 Amp  
100% Duty Cycle With Any Gas**

**COOL UNDER PRESSURE  
THE PAC-MIG ADVANTAGE™**

**PAC-MIG Inc.  
P.O. Box 2174  
Wichita, KS 67201**

**[www.pacmig.com](http://www.pacmig.com)  
E-Mail: [sales@pacmig.com](mailto:sales@pacmig.com)**


**Phone: 316-269-3040  
Fax: 316-269-2404  
Toll Free: 800-556-3040**



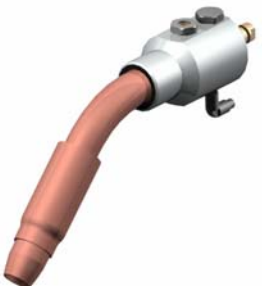
## EA ADAPTER and PRESSURIZED AIR-COOLED MIG GUN FEATURES

- Provides direct mounting of Patented PacMig™ **Pressurized Air-Cooled** Robotic Mig Guns to Motoman Robots equipped with a Token or Tregaskiss crash mount.
- Available in 400 and 650 amp models.
- Wire sizes from .035" (.9mm) to 3/32" (2.4mm)
- Utilizes all 40 and 65 series PacMig Robotic Mig Gun consumable parts.
- Cooled with shop air (1.2 – 1.8 cfm) from the rear case to the shrouded nozzle.
- Replaces water-cooled or hot running standard air-cooled guns.
- 100% duty cycle with any gas.
- Quick-change keyed conductor tubes are standard.
- Guns can be ordered to match existing angles and lengths.
- Guns can be ordered with wire lock or air blast installed.
- PAC-MIG™ guns will not be destroyed to lack of, or no air flow.
- Minimal maintenance is required.
- Front end consumable life is increased by a minimum of 20%.
- Specials available on request.

To Fit Tregaskiss/Motoman Crash Mounts	
Part No.	Amperage
MP40-TR-A	400
MP65-TR-A	650
Conductor tube, nozzle, contact tip, diffuser, and liner must be ordered separately from the EA adapter.	



To Fit Token Crash Mounts	
Part No.	Amperage
MP40-A	400
MP65-A	650
Conductor tube, nozzle, contact tip, diffuser, and liner must be ordered separately from the EA adapter.	



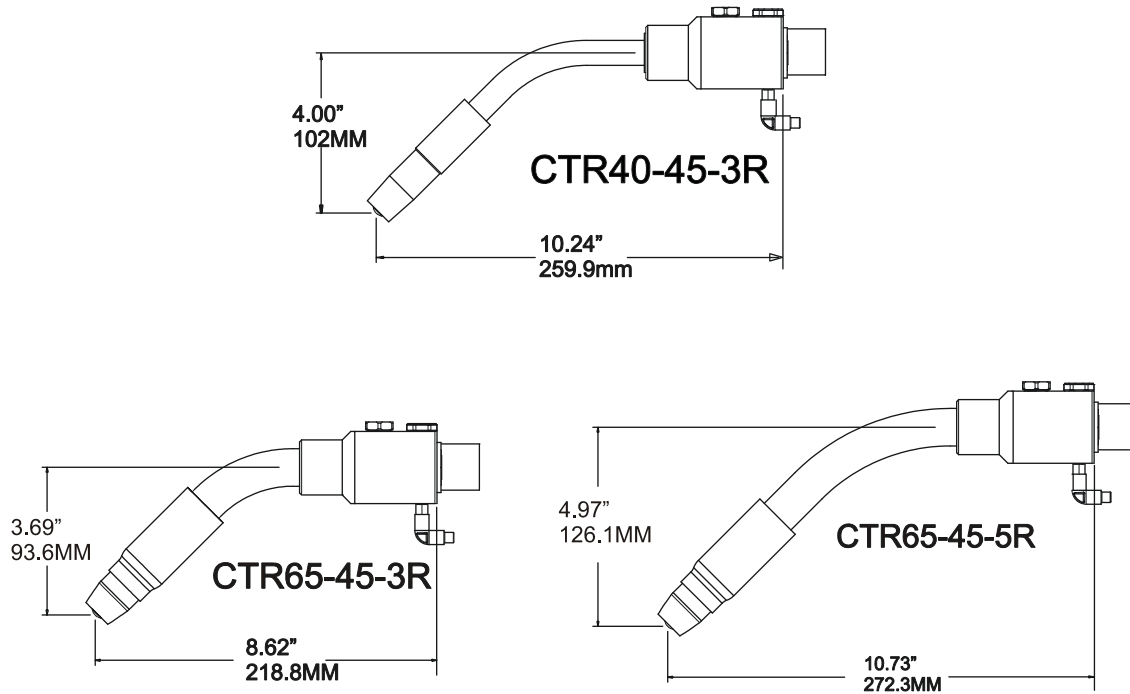
### Conductor Tube Assemblies To Fit EA Series Adapters For 400 & 650 Amp Pressurized Air-Cooled Robotic Mig Gun

Part No.	Description
CTR40-45-3R-A	400 Amp 45 Degree 3" Radius
CTR40-45-5R-A	400 Amp 45 Degree 5" Radius
TRAC65-45	650 Amp 45 Degree 3" Radius To Match Tregaskiss Air Cooled
CTR65-45-3R-A	650 Amp 45 Degree 3" Radius
CTR65-45-5R-A	650 Amp 45 Degree 5" Radius

All 400 & 650 Amp Pressurized Air-Cooled Conductor Tubes will fit the EA Series adapter

### Dimensional Drawings of 400 & 650 Amp Standard 45 Deg. Front Assemblies

- All dimensions are from the end of the welding tip.
- Custom conductor tubes are available. Call PacMig™ customer service



### Consumable Options for 400 & 650 Amp Robotic & Automatic Mig Guns

Wire Size In./mm	Contact Tip Standard	Contact Tip Tapered	Gas Diffuser	
			400Amp	650Amp
.030/.8mm	TT-30	TT-30T	TD45	TD-65-SW
.035/.9mm	TT-35	TT-35T		
.040/1.0mm	TT-40	TT-40T		
.045/1.2mm	TT-45	TT-45T		
3/64/1.2mm(Al)	TT-364	TT-364T		
.052/1.3mm	TT-52	TT-52T		
1/16/1.6mm	TT-116	TT-116T	N/A	TD65-H
5/64/2.0mm	TT-564	TT-564T		
3/32/2.4mm	TT-332	TT-332T		

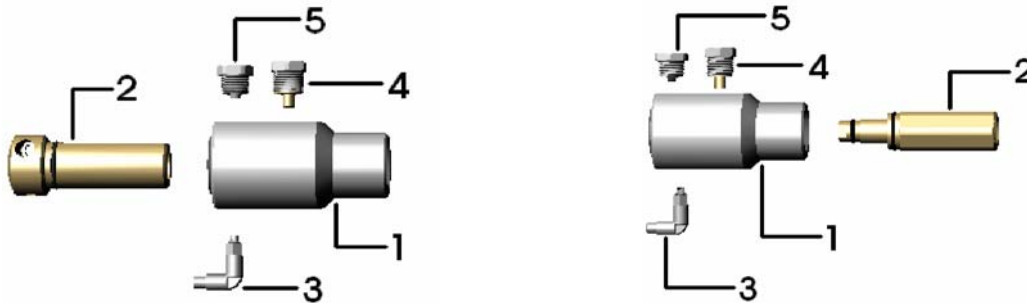
### Nozzles for 400 Amp Pressurized Air-Cooled Robotic and Automatic Mig Guns Package of 5 ea.

Standard Part No.	Heavy Duty Part No.	Description
PN40-50	HPN40-50	400 Amp Nozzle 1/2 " w/5/32 recess
PN40-50F	HPN40-50F	400 Amp Nozzle 1/2 " Flush
PN40-50-P	HPN40-50-P	400 Amp Nozzle 1/2 " w/1/8 Projection
PN40-62	HPN40-62	400 Amp Nozzle 5/8" w5/32 Recess
PN40-62F	HPN40-62F	400 Amp Nozzle 5/8" Flush
PN40-62-P	HPN40-62-P	400 Amp Nozzle 5/8" w/1/8" projection
PN40-75	N/A	400 Amp Nozzle 3/4" w5/32 Recess
PN40-75F	N/A	400 Amp Nozzle 3/4" Flush
PN40-75-P	N/A	400 Amp Nozzle 3/4" w/1/8" projection

## Nozzles for 650 Amp Pressurized Air-Cooled Robotic and Automatic Mig Guns Package of 5 ea.

Standard	Heavy Duty	
Part No.	Part No.	Description
PN65-50	N/A	650 Amp Nozzle 1/2" w/5/32 recess
PN65-50F	N/A	650 Amp Nozzle 1/2" Flush
PN65-50-MS	N/A	650 Amp Nozzle 1/2" Mini Shroud w/5/32 recess
PN65-50F-MS	N/A	650 Amp Nozzle 1/2" Flush Mini Shroud
PN65-50-P	N/A	650 Amp Nozzle 1/2" w/1/8 Projection
PN65-50P-MS	N/A	650 Amp Nozzle 1/2" Mini Shroud w/1/8 Projection
PN65-62	HPN65-62	650 Amp Nozzle 5/8" w/5/32 recess
PN65-62F	HPN65-62F	650 Amp Nozzle 5/8" Flush
PN65-62-MS	HPN65-62-MS	650 Amp Nozzle 5/8" Mini Shroud w/5/32 recess
PN65-62F-MS	HPN65-62F-MS	650 Amp Nozzle 5/8" Flush Mini Shroud
PN65-62-P	HPN65-62-P	650 Amp Nozzle 5/8" w/1/8 Projection
PN65-62P-MS	HPN65-62P-MS	650 Amp Nozzle 5/8" Mini Shroud w/1/8 Projection
PN65-75	HPN65-75	650 Amp Nozzle 3/4" w/5/32 recess
PN65-75F	HPN65-75F	650 Amp Nozzle 3/4" Flush
PN65-75-P	HPN65-75P	650 Amp Nozzle 3/4" w/1/8 Projection
--	HPN65-75LS	650 Amp Nozzle 3/4" Flush Long Shroud
--	HPN65-75LSF	650 Amp Nozzle 3/4" Long Shroud w/5/32 recess
--	HPN65-75LS-P	650 Amp Nozzle 3/4" Long Shroud w/1/8 Projection
PN65-75-MS	--	650 Amp Nozzle 3/4" Flush Short Shroud
PN65-75F-MS	--	650 Amp Nozzle 3/4" Short Shroud w/5/32 recess
PN65-75P-MS	--	650 Amp Nozzle 3/4" Short Shroud w/1/8 Projection

### Replacement Parts



### EA Adapter to fit Motoman & Tregaskiss

### EA Adapter to fit Tokin

Item	Part No.	Description	Item	Part No.	Description
1	MP65-TR-C	EA Series Case	3	MP65-EL	90 deg. Swivel Elbow
2	MP40-TR-B	Adapter Block (400 amp)	4	CTLB6-A	Conductor Tube Locking Button
2	MP65-TR-B	Adapter Block (650 amp)	5	CBLB-A	Connector Block Locating Button
2	MP40-B	Adapter Block (400 amp) Tokin	N/S	<b>MK-46</b>	<b>Maintenance Kit</b> (contains o-rings, snap rings, screws, & locking buttons)
2	MP65-B	Adapter Block (650 amp) Tokin	N/S	<b>R-Kit</b>	<b>O-Ring Kit</b> (contains o-rings only)

**For parts not listed or special requirements call Pac-Mig customer service**

**PAC-MIG Inc.**  
**311 Laura**  
**Wichita Ks. 67211**  
**316-269-3040**  
**316-269-2404 (Fax)**  
[www.pacmig.com](http://www.pacmig.com)  
**E-Mail: [sales@pacmig.com](mailto:sales@pacmig.com)**